

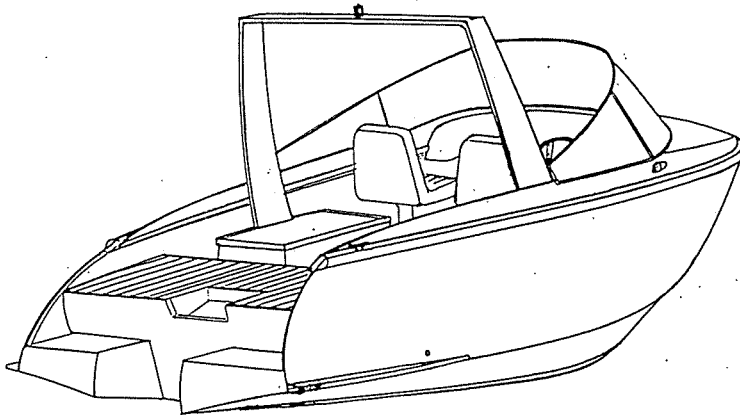
The Russcraft 4800

This design is based on a series of prototype air-sea rescue and pleasure craft hulls designed some years ago by Russell Roberts. The control, roughwater handling and seakeeping qualities of the concave hull bottom on these boats were found to be excellent. Recently, Russell's son Greg decided to pick up on this style of hull shape for a contemporary model, and designed for strip plank construction so that amateur builders can make their own powerboat.

The first one of these has now been launched and trials have shown how it gives a soft and comfortable ride in choppy water, one of the major criteria for the design. The hull construction uses 11mm WR Cedar with 410 gsm double bias and 300 gsm plain weave laminates for the hull, with plywood bulkheads. The cabin top is also strip planked to lighter scantlings.

The arrangement includes space for 2 x 25 litre fuel tanks, gear stowage, room for 5 people and it can take up to a 60 HP 4 stroke outboard. LOA is 4.75m, beam is 1.85m.

For more information contact Greg Roberts on 02 9979 9599.



RUSSCRAFT 4800

PERSPECTIVE VIEWS

© D.PAYNE 1999

