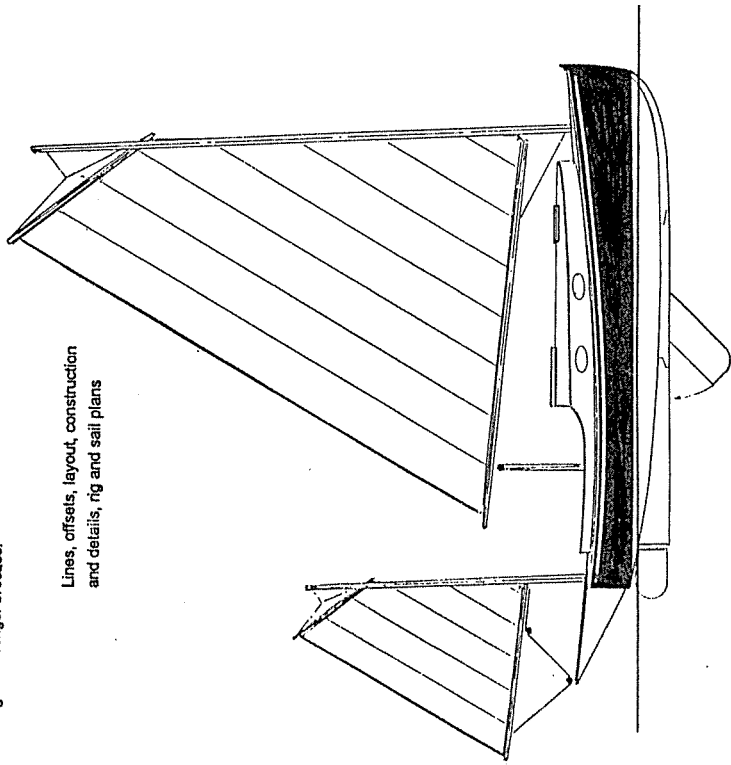
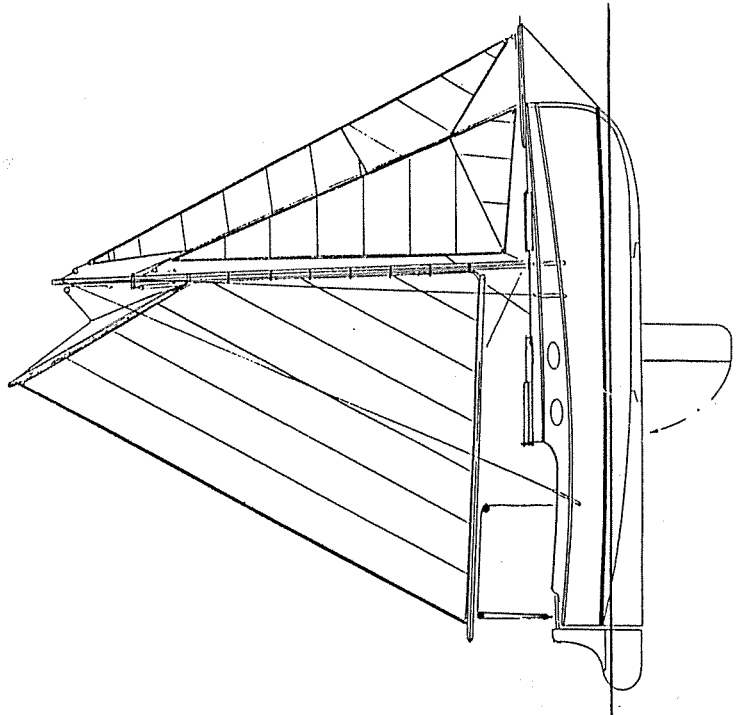
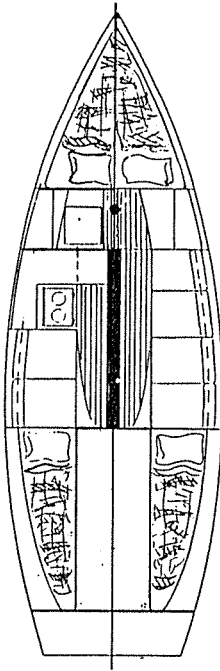
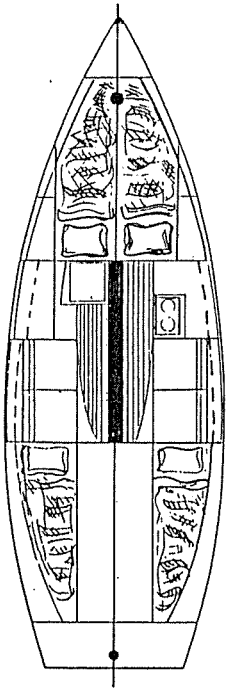


7.0M CAT BOAT/CUTTER

LOA	7.0M
BEAM	2.45M
DRAFT	.425/1.6M
DISPLT	1100 kgs
BALLAST	350 kgs

Cruising coastal or enclosed waters in a small to medium sized craft is an ideal way to enjoy the best of both sailing and camping. This boat is designed with this firmly in mind, and any one of the configurations available offers simple construction and attractive appearance. The potential of the boat is enhanced by its trailerable possibilities, travelling long distances to new waterways, or if kept on a mooring, home for maintenance when required.

Construction is 12mm strip planking (W.R. Cedar) with 300 to 400 gsm fabric reinforcement, and plywood decks, cabin and fit out. Sailing characteristics with the various rigs should be fairly similar, however the cutter rig is better suited to upwind sailing and stronger breezes.



Lines, offsets, layout, construction and details, rig and sail plans