

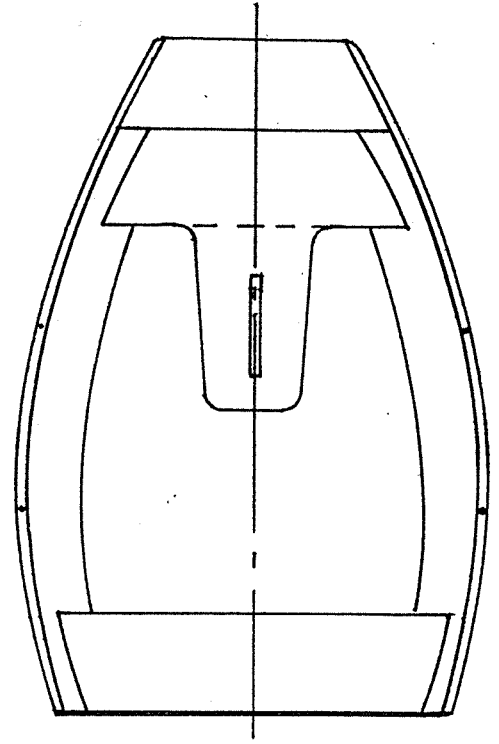
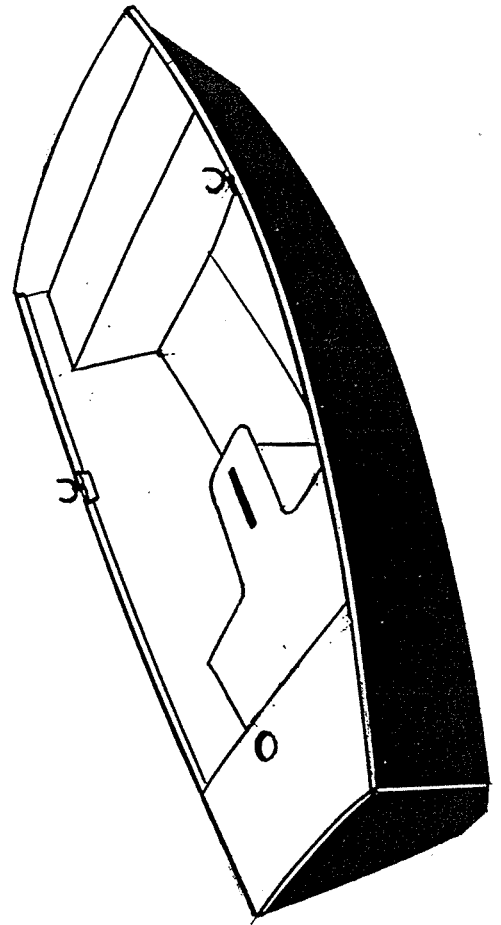
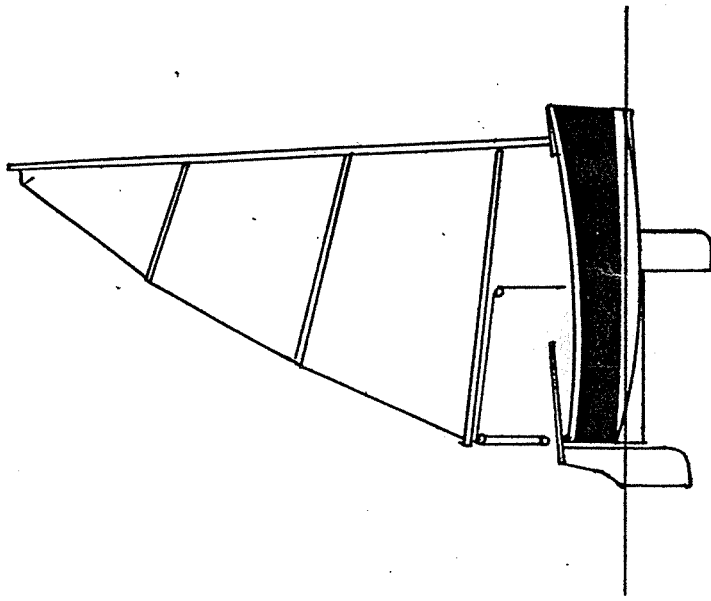
**JILLY**  
A 6 foot dinghy.

6 feet seems to be a popular size for a compact tender/ dinghy, and this design was prepared in response to requests for a boat of just that maximum size. The result is a versatile little craft which manages to have all the features of the larger capacity dinghies.

The planking and thwarts all come out of two sheets of plywood, so with some additional sections of timber for longitudinals and framing she is quite economical to build. As a first boatbuilding project she is a good project to gain experience and confidence with. It can be rigged and fitted out as a kid's sailboat too.

The plans include a sheet of full size templates and a sheet with the layout of panels and some additional offsets to cut the pieces from the two sheets of plywood.

LOA 1.820m  
Beam 1.250m.



PLAN VIEW